

# **CALCOPPER®** – the hottest solution for cool calculators

Operating temperature up to 120 °C

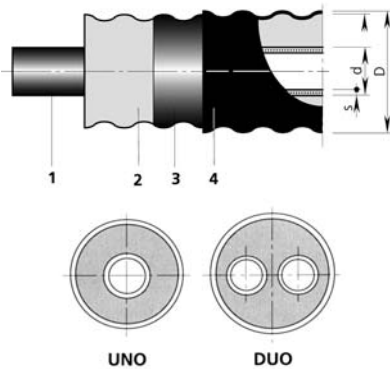
Operating pressure up to 16 bar



## Copper at it's best



- 1 Soft copper carrier pipe(s)
- 2 CFC-free PUR-foam insulation
- 3 Polyethylene protective sheathing
- 4 Outer casing in PE-LD polyethylene



### Area of use

CALCOPPER® is suitable for either below or above ground applications also in service ducts and shafts. In fact, anywhere that continuous preinsulated pipes ensure the security of a joints free installation, time saving and a perfect insulation finish. Use CALCOPPER® for: all water systems, including house-connections for small and medium-sized district and local heating networks, hot and cold water services, chilled water and other suitable fluids.

### All-in one

CALCOPPER® is designed with single and twin-line copper carrier pipes. The pipes are fully and continuously insulated with CFC free flexible polyurethane foam with a tough outer casing of polyethylene.

**Operating temperature up to 120 °C**  
**Operating pressure up to 16 bar**

### Adaptable to every terrain

The pipe routing is determined solely by the terrain conditions – reducing the length of pipe that needs to be laid to the absolute minimum. Existing supply pipes are simply crossed, either above or below. The reason? CALCOPPER® is so flexible that it can be adapted to every type of terrain.

### Minimise underground construction costs

You will drastically reduce the costs of installing pipework, because CALCOPPER® pipes only require the narrow trenches. There is no need to brace the trenches.

### Reduce installation time

CALCOPPER® pipes are delivered in coils. That means, the pipe length of 100 m can be laid in one hour! With CALCOPPER® you choose a one-day building-site.

### Play it save

We supply CALCOPPER® pipes in lengths up to 300 m – so that sensitive underground connections can largely be avoided.

### Connections – all taken care of

No matter whether you need house connections or junctions: our accessories in the CALCOPPER® range, offer you a simple reliable solution in every situation. Brazing fittings are available from normal stockists.

Type CCO, UNO	DN	Carrier pipe Cu d x s (mm)	Protective sheath D (mm)	Min. Bending radius (m)	Max. Delivery length in coils (m)
15/63	10	15 x 1.0	63	0.7	280
15/76	10	15 x 1.0	76	0.7	280
18/63	15	18 x 1.0	63	0.7	300
18/76	15	18 x 1.0	76	0.7	300
22/63	20	22 x 1.0	63	0.7	200
22/76	20	22 x 1.0	76	0.7	200
28/76	25	28 x 1.2	76	0.7	130
35/91	32	35 x 1.5	91	0.8	on request

Type CCO, DUO	DN	Carrier pipe Cu d x s (mm)	Protective sheath D (mm)	Min. Bending radius (m)	Max. Delivery length in coils (m)
15+15/91	10	15 x 1.0	91	0.8	280
18+18/91	15	18 x 1.0	91	0.8	300
22+15/91	20	22 x 1.0	91	0.8	200
	10	15 x 1.0	—	—	—
22+22/91	20	22 x 1.0	91	0.8	200
28+15/91	25	28 x 1.2	91	0.8	130
	10	15 x 1.0	—	—	—
28+22/91	25	28 x 1.2	91	0.8	130
	20	22 x 1.0	—	—	—

Brugg Rohrsystem AG  
 Industriestrasse 39  
 CH-5314 Kleindöttingen  
 Telefon +41 (0)56 268 78 78  
 Telefax +41 (0)56 268 78 79  
 www.pipesystems.com  
 pipesystems@kwbrugg.ch

BRUGG Rohrsysteme GmbH  
 Adolf-Oesterheld-Strasse 31  
 D-31515 Wunstorf  
 Telefon +49 (0)50 31 170-0  
 Telefax +49 (0)50 31 170-170  
 www.brugg.de  
 info@brugg.de

